

Heat Removal I

Thermodynamics and Divertor

Ben McCrossan

Background

- 1000 MWth output
- 2 Separate Coolants
 - Pb-17Li-Surrounding 1st Wall for Tritium Breeding
 - Pressurized Water-Cooling Divertor, has high specific heat capacity
- Pb-17Li passes through heater exchanger with water
- Pressurized water then used for Rankine Cycle
- Estimated thermodynamic efficiency of 35%

Heat Flux Distribution

- 1000 MWth
 - 800 MWth or 80% leaving through 1st wall
 - 640 MWth or 80% of energy is neutrons
 - 160 MWth of 20% of energy is radiation
 - Distributed over Area of roughly $4\pi^2Ra$
 - Heat Flux: 1.88 MW/m²
 - 200 MWth or 20% leaving through divertor
 - Almost entirely heavy charged Particles(alpha & impurity)
 - Distributed over Area or $2\pi R * \text{Width}$
 - Divertor Heat flux: 1.77MW/m² (Assuming uniform distribution)

Thermodynamics

- Pb-Li17
 - Operating Temperature: 520-720 K
 - Range chosen based on Eutectic melting point of Pb-Li and Temperature limits of structural material(ODS Steel)
- Pressurized Water
 - Operating Temperature: 320-570 K
 - Based on liquid temperature range of pressurized water
 - mimics existing LWR power-cycles

Thermodynamics

Power Cycle

- Rankine steam cycle chosen over gas Brayton cycle
- Rankine is cheaper, Brayton is more efficient
- Water is already being used to cool the divertor, and the heat from the reactor isn't high enough quality (720 K) to justify using a Brayton cycle

Efficiency:

- Carnot Efficiency: $(T_h - T_c) / T_h = 56\%$
- Realistic Efficiency: 35%

Lithium-Water reactivity

- Generally occurs slowly
- Energy of 222 kJ/mol
- Assuming HX length of 10m
- Total energy is .237 TJ
- Equivalent to 56.7 metric tons of TNT
- System temperature increase of 2477K

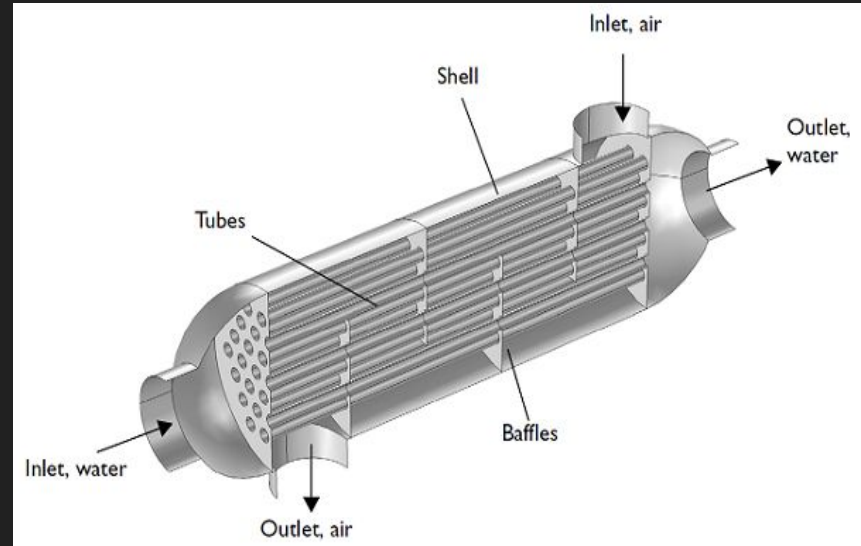
Passive Safety:

Overbuilt tubing-SiC

Active Safety:

Monitor HX temperature

Flush system with helium



Divertor

- Divertor was chosen over Limiter Design
- Separate Chamber with cooled particles translates to less sputtering
- Removes alpha particles & other impurities from plasma
- Also removes significant amount of heat

Material Choice: Tungsten

- Has highest sputtering threshold
- Very high melting point
- Can withstand high heat flux (8 MW/m^2)

Configuration: Single set of plates at bottom of reactor

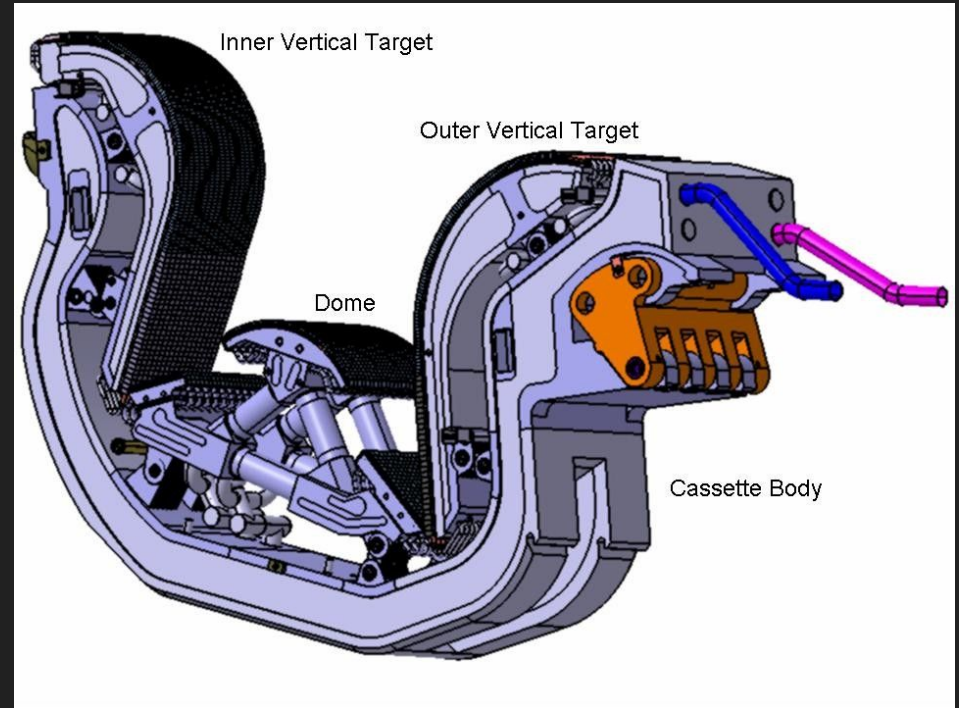
Divertor

Total Heat: 200MW

- Water:
 - Specific Heat: $C_p = 4.18 \text{ kJ/kg-K}$
 - Temperature Change: $\Delta T = 250 \text{ K}$
 - Mass Flow Rate: $m = 191.39 \text{ kg/s}$
 - Volumetric Flow Rate: $V = .19138 \text{ m}^3/\text{s}$
- Cooling Channel
 - Total Cross Section: $\text{Area} = .127 \text{ m}^2$
 - Coolant Velocity: $v = 1.507 \text{ m/s}$
 - SiC Tubing-In contact with high temperature tungsten

Divertor

Parameters	Value
#of Tubes	180U
Velocity	1.5m/s
Inner Radius:	.015m
Outer Radius	.017m
Specific Heat	4200J/kgK
Density	1000kg/m ³
Conductivity	.6W/mK
Reynolds	159.6U
Prandt	1.9646U
Nusselt	7.483U
Convection Co-eff	149.66W/m ² K
Pressure drop	451kPa
Pump Power	.1MW
required thickness	.00167m



Heat Removal II

Attenuation and Coolant Channels

Kumar Singh

Overview

1) First wall: 10 mm of Beryllium, 22 mm Cu, followed by 18mm ODS Steel

2) Coolant Channel: 0.5 m total

a) 1 coolant layer

b) ~5% ODS Steel Structure, ~5% SiC insulator, ~90% Pb17Li coolant

3) Carbide neutron reflector: 20mm

a) assumed albedo of 60%

4) Shield: 1m thick

a) 50% SS 50% B₄C

Attenuation

- Heat flux is directly related to neutron flux past the FW
- Neutrons are attenuated while traversing past the FW
- Attenuation can be related to macroscopic cross section
 - Absorption and Scattering cross sections taken from NIST
- Neutron flux drops off exponentially as a function of distance from the first wall

$$\varphi(x) = \varphi_0 e^{-\mu x}$$

Heat Distribution

- Heat distribution follows same trend
- 1.88 MW/m² into the FW
 - Temperature rise of 75 degrees in 10mm Be
 - Temperature rise of 100 degrees in 22mm Cu
 - Temperature rise of 1300 degrees in 18mm ODS Steel
- Attenuated to 1.82 MW/m² before entering coolant
 - 0.60 MW/m² leaves coolant (60% is reflected)
 - Carbide reflector chosen due to high scattering cross section
 - Would lose 360 kW/m² without it
 - total of 1.6 MW/m² deposited in coolant

Heat Distribution

- 0.24 MW/m² incident on the shield
 - 50% SS, 50% B₄C
- Need to attenuate four orders of magnitude to ensure magnet safety
- Boron Carbide has a high absorption cross section
 - 26 W/m² leaving the shield
 - Very low, could be used to power electronics

Tolerances

Material	Limit	Actual
Be (FW)*	20 MW/m ²	1.88 MW/m ²
Copper (FW)*	30 MW/m ²	1.88 MW/m ²
SS (FW)*	2 MW/m ²	1.85 MW/m ²
Tungsten (Divertor)	8 MW/m ²	1.78 MW/m ²

*There may be some concern about the decrease of thermal conductivity as a function of wall loading and temperature. However, no significant change will occur and the above materials will remain within safe operating limits.

Coolant Channel

- Needs to remove 1.6 MW/m^2 of heat
- $Q = mC(T - T_i)$
 - Chosen Temperature change of 200 degrees
 - $C = 190 \text{ J/kg K}$
- Mass flow needed is approx. $19,000 \text{ kg/s}$, total flow rate of 8 m/s
 - 50 coolant tubes
 - Velocity in each tube needs to be 0.16 m/s

Pumping Power

- Reynolds number $\sim 4 \times 10^6$ (highly turbulent)
- Friction factor of ~ 0.012
- Frictional pressure drop ~ 4000 Pa/m or 0.15 MPa
- MHD Pressure Drop ~ 0.33 MPa without SiC insulation
 - becomes negligible due to insulation properties
- Pumping power
 - 0.15 MPa needs to be pumped against
 - With 60% pumping efficiency, power needed ~ 1 MW/tube (50 MW total or 5% of total power)
 - With 40% pumping efficiency, power needed ~ 1.5 MW/tube (75 MW total 7.5% of total power)

Summary

- Tungsten Divertor
 - water @ 1.5 m/s in 180 tubes of 17mm radius
- Coolant channels
 - Lithium-lead @ 0.16 m/s in 50 tubes of 0.20 m² flow area
- Carbide reflector
 - reflects ~20% of thermal power into coolant
- Boron Carbide shield
 - absorbs remaining heat
- Cooling pumping power 5% - 7.5% of thermal output

References

- W.M. Stacey, “Primary Energy Conversion and Breeding Blanket” in *Fusion* 2nd Ed. Atlanta, USA Wiley-VCH, 2009.
- T.L. Bergman et al, *Fundamentals of Heat and Mass Transfer* 3rd Ed., Jefferson City, USA John Wiley & Sons Inc. 2011.
- S.J. Zinkle, *Summary of Physical Properties of Lithium, Pb-Li17, and LiF.BeF2 Coolants*, Sandia National Lab, 1998.
- Jim Clark(2005). *Reactions of the Group 1 Elements with Water*. Web. Available. <http://www.chemguide.co.uk/inorganic/group1/reacth2o.html>
- R.A. Pitts et al, “A Full Tungsten Divertor for ITER: Physics Issues and Design Status” *Journal of Nuclear Materials*, Volume 438, P. 48-56. July 2013.
- Alan Munter. *Neutron Scattering Lengths and Cross Sections*. Web. Available. <https://www.ncnr.nist.gov/resources/n-lengths/>